



### General

Gseries axial fans are our economic fan products specially developed for manufactures of frequency conversion speed regulating motors. The product consisting of shell, motor and fan blades has a structure of integrated fan blades and motor in a cylindrical shell, thus forming the features of simple installation, low noise, small vibration, reliable operation, etc.

### Operating conditions

Ambient temperature: Changed with season, not greater than 40°C  
 Ambient humidity: Relative humidity not greater than 90% (At 25°C)

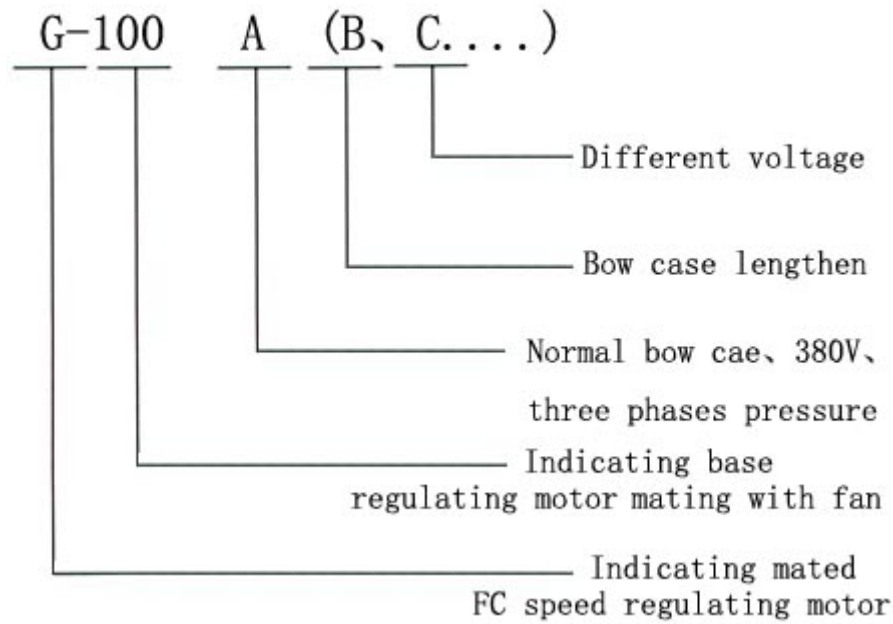
### Overall and mounting dimensions of G series axial fans

Type	D1	D2	L1	L2	L3	δ	a	R	n
G-71A	130	136	12.50	25	122	1.50	4	3	3
G-80A	150	155	15	50	137	1.50	4	3	3
G-90A	169	175	15	55	142	1.50	4	3	3
G-100A	186	193	15	55	143	1.50	5	3.5	3
G-112A	210	217	17	55	143	1.50	5	3.5	3
G-132A	250	258	17	55	156	1.50	5	3.5	3
G-160A	300	314	20	92	200	2	5	3.5	4
G-180A	340	352	35	118	218	2	5	3.5	4
G-200A	380	393	40	120	225	2	6	4.5	4
G-225A	400	443	45	141	280	2	6	4.5	4
G-250A	470	482	55	158	300	2	6	4.5	4
G-280A	530	546	65	167	310	2	9	5.5	4
G-315A	600	614	75	175	435	2	9	5.5	4
G-355A	680	694	82	185	480	2	7	6.5	4
G-450A	700	786	82	180	480	2.5	7	6.5	4
G-500A	900	985	50	140	627	2.5	7	6.5	4

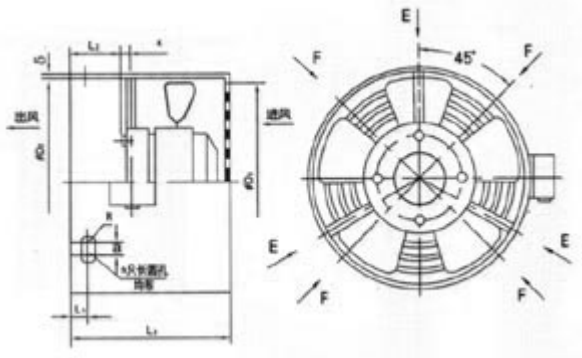
### Main technical parameters and motor configuration

Type	Voltage	Input power	Speed (r/min)	Input current	Air pressure	Air pressure	Noise	diameter of fan blades
G-71A	Three-phase 380V 50Hz	28	2800	0.07	300	50	50	130
G-80A	Three-phase 380V 50Hz	28	2800	0.07	350	60	52	150
G-90A	Three-phase 380V 50Hz	30	2800	0.07	500	80	55	169
G-100A	Three-phase 380V 50Hz	40	2800	0.14	650	82	57	186
G-112A	Three-phase 380V 50Hz	70	2800	0.21	1000	110	60	250
G-132A	Three-phase 380V 50Hz	55	1450	0.21	880	70	60	300
G-160A	Three-phase 380V 50Hz	60	1400	0.22	1100	40	60	300
G-180A	Three-phase 380V 50Hz	70	1400	0.23	1200	55	60	340
G-200A	Three-phase 380V 50Hz	100	1400	0.31	2500	65	60	380
G-225A	Three-phase 380V 50Hz	135	1400	0.32	3800	80	60	400
G-250A	Three-phase 380V 50Hz	185	1400	0.57	4200	85	62	470
G-280A	Three-phase 380V 50Hz	200	1380	0.64	5000	100	62	530
G-315A	Three-phase 380V 50Hz	500	1350	1.8	6000	150	62	600
G-355A	Three-phase 380V 50Hz	250/600	900/1350	1.9	4700/6500	80/180	62/80	680
G-450A	Three-phase 380V 50Hz	370	900	1.4	4850	85	75	700
G-500A	Three-phase 380V 50Hz	1100	890	3.18	5500	85	78	900

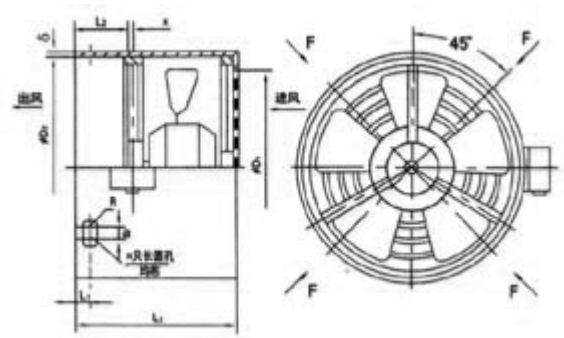
## Definition of type



## Overall dimension & installation dimension



(Enlargement)



(Enlargement)

- Note : ① 3 long round holes (n=3) uniformly distributed in the E direction, 4 long round holes (n=4) uniformly distributed in the F direction  
 ② G-80A~G-160A, X=5; G-180~G-250A, X=12

- Note : 4 long round holes (n=4) uniformly distributed in the F direction

## Notice for ordering

Specification (Type A) listed in catalogue is for standard version. The following versions can be tailored according to customer's special requirements;

- ① Structure with specifications of L1, L2, L3, etc;
- ② Vertical structure with rain shield (Standard version is horizontal) ;
- ③ Left output at the left side of fan terminal box looking from FC speed regulating motor or fan outlet ; at the right side for standard version) , top output connection ;
- ④ structure with brake , encoder , etc in shell ;
- ⑤ Fans motor using power of different voltage and frequency , higher protection class and insulation class ( For standard version , three-phase , 380V , 50Hz , protection class IP44 and insulation class F )  
 G series axial fans with specifications are indicated as B , C , D... When ordering products with special specifications , customers should indicate fan type as G-100C... so that our company will implement product traceability and offer service.